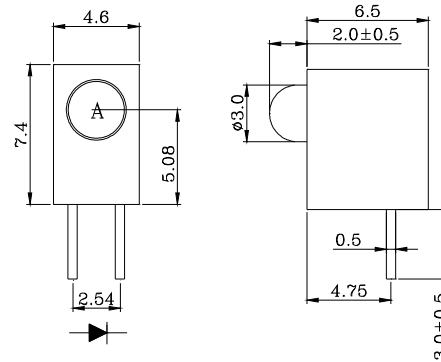


# LED LAMP

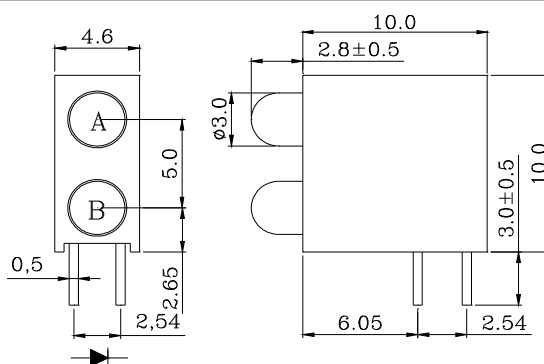
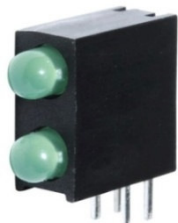
L-H311XXXX -3.0mm LED LAMP WITH LHY3301-1 HOLDER

LED HOLDER



Part No	LED Lamp	Chip		Lens Color	Wave length $\lambda_D$ (nm)	Electro-optical characteristics			View Angle (deg.)
		Raw Material	Emitted Color			VF(V)20mA		IV(mcd)20mA	
						Typ.	Max.	Typ.	
L-H311005B	A=L-3541GD	GaP	Yellow Green	Green Diffused	570	2.2	2.6	18	60
L-H311006B	A=L-3541YD	GaAsP	Yellow	Yellow Diffused	587	2.1	2.6	18	60
L-H311007B	A=L-3541ED	GaAsP	Orange	Red Diffused	628	2.1	2.6	18	60
L-H311008B	A=L-3541SRD	GaAlAs	Red	Red Diffused	640	1.8	2.2	50	60

## L-H322XXXX -3.0mm LED LAMP WITH LHY3302-7 HOLDER



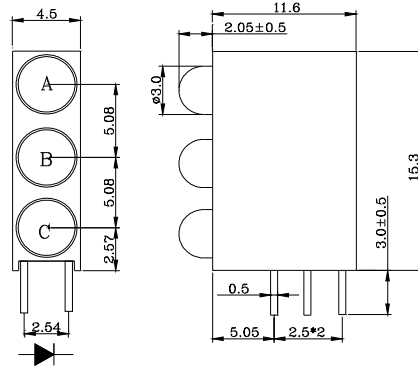
LED HOLDER

Part No	LED Lamp	Chip		Lens Color	Wave length $\lambda_D$ (nm)	Electro-optical characteristics			View Angle (deg.)
		Raw Material	Emitted Color			VF(V)20mA		IV(mcd)20mA	
						Typ.	Max.	Typ.	
L-H322005B	A=L-3541GD	GaP	Yellow Green	Green Diffused	570	2.2	2.6	18	60
	B=L-3541GD	GaP	Yellow Green	Green Diffused	570	2.2	2.6	18	60
L-H322006B	A=L-3541YD	GaAsP	Yellow	Yellow Diffused	587	2.1	2.6	18	60
	B=L-3541YD	GaAsP	Yellow	Yellow Diffused	587	2.1	2.6	18	60
L-H322007B	A=L-3541ED	GaAsP	Orange	Red Diffused	628	2.1	2.6	18	60
	B=L-3541ED	GaAsP	Orange	Red Diffused	628	2.1	2.6	18	60
L-H322008B	A=L-3541SRD	GaAlAs	Red	Red Diffused	640	1.8	2.2	50	60
	B=L-3541SRD	GaAlAs	Red	Red Diffused	640	1.8	2.2	50	60

# LED LAMP

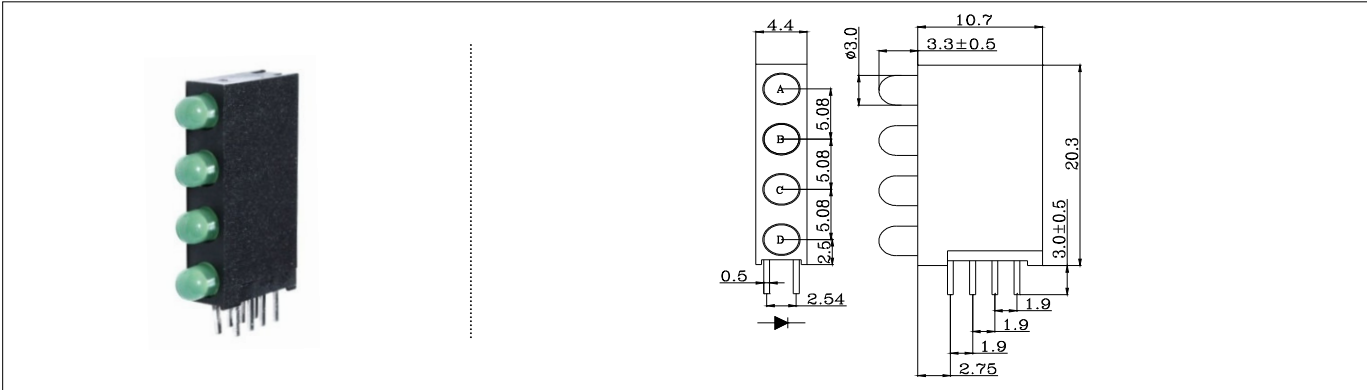
## L-H331XXXX -3.0mm LED LAMP WITH LHY3303-4 HOLDER

LED HOLDER



Part No	LED Lamp	Chip		Lens Color	Wave length $\lambda$ D (nm)	Electro-optical characteristics			View Angle (deg.)
		Raw Material	Emitted Color			VF(V)20mA		IV(mcd)20mA	
						Typ.	Max.	Typ.	
L-H331005B	A=L-3541GD	GaP	Yellow Green	Green Diffused	570	2.2	2.6	18	60
	B=L-3541GD	GaP	Yellow Green	Green Diffused	570	2.2	2.6	18	60
	C=L-3541GD	GaP	Yellow Green	Green Diffused	570	2.2	2.6	18	60
L-H331006B	A=L-3541YD	GaAsP	Yellow	Yellow Diffused	587	2.1	2.6	18	60
	B=L-3541YD	GaAsP	Yellow	Yellow Diffused	587	2.1	2.6	18	60
	C=L-3541YD	GaAsP	Yellow	Yellow Diffused	587	2.1	2.6	18	60
L-H331007B	A=L-3541ED	GaAsP	Orange	Red Diffused	628	2.1	2.6	18	60
	B=L-3541ED	GaAsP	Orange	Red Diffused	628	2.1	2.6	18	60
	C=L-3541ED	GaAsP	Orange	Red Diffused	628	2.1	2.6	18	60
L-H331008B	A=L-3541SRD	GaAlAs	Red	Red Diffused	640	1.8	2.2	50	60
	B=L-3541SRD	GaAlAs	Red	Red Diffused	640	1.8	2.2	50	60
	C=L-3541SRD	GaAlAs	Red	Red Diffused	640	1.8	2.2	50	60

## L-H341XXXX -3.0mm LED LAMP WITH LED340A/B HOLDER

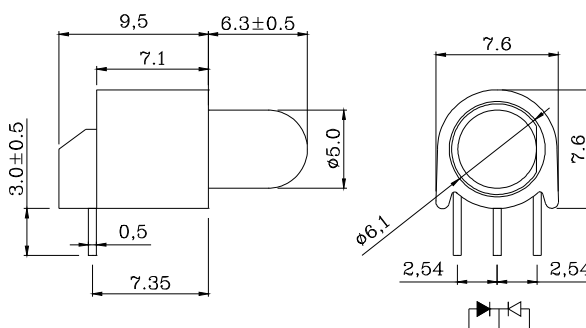


Part No	LED Lamp	Chip		Lens Color	Wave length $\lambda$ D (nm)	Electro-optical characteristics			View Angle (deg.)
		Raw Material	Emitted Color			VF(V)20mA		IV(mcd)20mA	
						Typ.	Max.	Typ.	
L-H341005B	A=L-3541GD	GaP	Yellow Green	Green Diffused	570	2.2	2.6	18	60
	B=L-3541GD	GaP	Yellow Green	Green Diffused	570	2.2	2.6	18	60
	C=L-3541GD	GaP	Yellow Green	Green Diffused	570	2.2	2.6	18	60
	D=L-3541GD	GaP	Yellow Green	Green Diffused	570	2.2	2.6	18	60
L-H341006B	A=L-3541YD	GaAsP	Yellow	Yellow Diffused	587	2.1	2.6	18	60
	B=L-3541YD	GaAsP	Yellow	Yellow Diffused	587	2.1	2.6	18	60
	C=L-3541YD	GaAsP	Yellow	Yellow Diffused	587	2.1	2.6	18	60
	D=L-3541YD	GaAsP	Yellow	Yellow Diffused	587	2.1	2.6	18	60
L-H341007B	A=L-3541ED	GaAsP	Orange	Red Diffused	628	2.1	2.6	18	60
	B=L-3541ED	GaAsP	Orange	Red Diffused	628	2.1	2.6	18	60
	C=L-3541ED	GaAsP	Orange	Red Diffused	628	2.1	2.6	18	60
	D=L-3541ED	GaAsP	Orange	Red Diffused	628	2.1	2.6	18	60
L-H341008B	A=L-3541SRD	GaAlAs	Red	Red Diffused	640	1.8	2.2	50	60
	B=L-3541SRD	GaAlAs	Red	Red Diffused	640	1.8	2.2	50	60
	C=L-3541SRD	GaAlAs	Red	Red Diffused	640	1.8	2.2	50	60
	D=L-3541SRD	GaAlAs	Red	Red Diffused	640	1.8	2.2	50	60

# LED LAMP

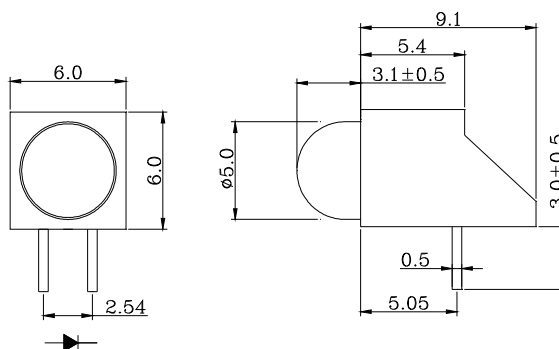
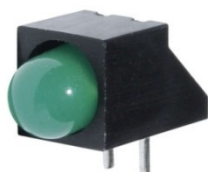
## L-H511XXXX -5.0mm LED LAMP WITH LHY6101-1 HOLDER

LED HOLDER



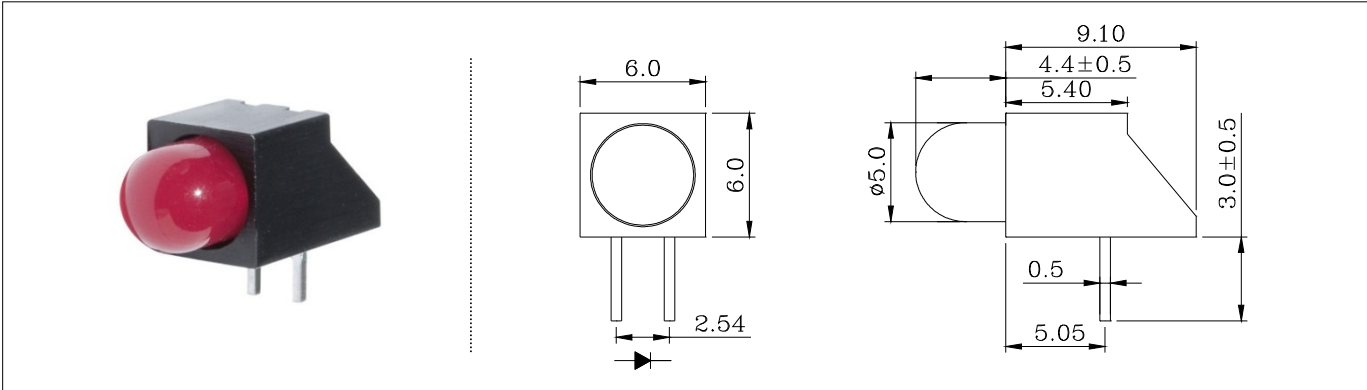
Part No	LED Lamp	Chip		Lens Color	Wave length $\lambda_D$ (nm)	Electro-optical characteristics			View Angle (deg.)
		Raw Material	Emitted Color			VF(V)20mA		IV(mcd)20mA	
						Typ.	Max.	Typ.	
L-H511005B	L-519GYW	GaP	Yellow Green	White Diffused	570	2.2	2.6	18	120
		GaAsP	Yellow		587	2.1	2.6	15	120
L-H511006B	L-519EGW	GaAsP	Orange	White Diffused	628	2.1	2.6	30	120
		GaP	Yellow Green		570	2.2	2.6	18	120
L-H511007B	L-519SRGW	GaAlAs	Red	White Diffused	640	1.8	2.2	40	120
		GaP	Yellow Green		570	2.2	2.8	20	120

## L-H512XXXX -5.0mm LED LAMP WITH LHY5001-1 HOLDER



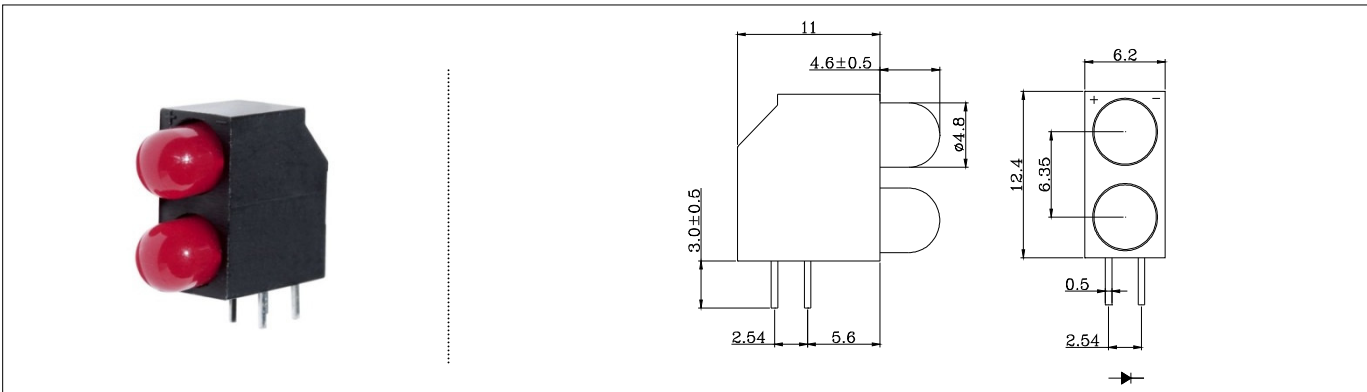
Part No	LED Lamp	Chip		Lens Color	Wave length $\lambda_D$ (nm)	Electro-optical characteristics			View Angle (deg.)
		Raw Material	Emitted Color			VF(V)20mA		IV(mcd)20mA	
						Typ.	Max.	Typ.	
L-H512005B	A=L-503GD	GaP	Yellow Green	Green Diffused	570	2.2	2.6	20	110
L-H512006B	A=L-503YD	GaAsP	Yellow	Yellow Diffused	587	2.1	2.6	15	110
L-H512007B	A=L-503ED	GaAsP	Orange	Red Diffused	628	2.1	2.6	25	110
L-H512008B	A=L-503SRD	GaAlAs	Red	Red Diffused	640	1.8	2.2	50	110

## L-H513XXXX -5.0mm LED LAMP WITH LHY5001-1 HOLDER



Part No	LED Lamp	Chip		Lens Color	Wave length $\lambda_D$ (nm)	Electro-optical characteristics			View Angle (deg.)
		Raw Material	Emitted Color			VF(V)20mA		IV(mcd)20mA	
						Typ.	Max.	Typ.	
L-H513005B	A=L-523GD	GaP	Yellow Green	Green Diffused	570	2.2	2.6	15	110
L-H513006B	A=L-523YD	GaAsP	Yellow	Yellow Diffused	587	2.1	2.6	14	110
L-H513007B	A=L-523ED	GaAsP	Orange	Red Diffused	628	2.1	2.6	25	110
L-H513008B	A=L-523SRD	GaAlAs	Red	Red Diffused	640	1.8	2.2	50	110

## L-H523XXXX -5.0mm LED LAMP WITH LHY506 HOLDER



Part No	LED Lamp	Chip		Lens Color	Wave length $\lambda_D$ (nm)	Electro-optical characteristics			View Angle (deg.)
		Raw Material	Emitted Color			VF(V)20mA		IV(mcd)20mA	
						Typ.	Max.	Typ.	
L-H523005B	A=L-523GD	GaP	Yellow Green	Green Diffused	570	2.2	2.6	15	110
	B=L-523GD	GaP	Yellow Green	Green Diffused	570	2.2	2.6	15	110
L-H523006B	A=L-523YD	GaAsP	Yellow	Yellow Diffused	587	2.1	2.6	14	110
	B=L-523YD	GaAsP	Yellow	Yellow Diffused	587	2.1	2.6	14	110